

MÀTIX

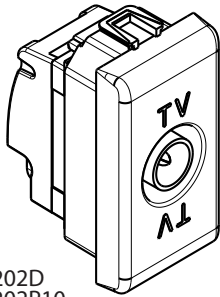
TV - RD - SAT sockets

AM4202D - A5202D ---- AM5202P10 - A45202P10 ----- AM5202P14 - A5202P14

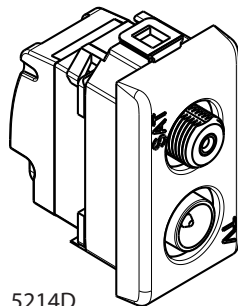
AM5214D - A5214D

AM5210M2D - AM5210M2D

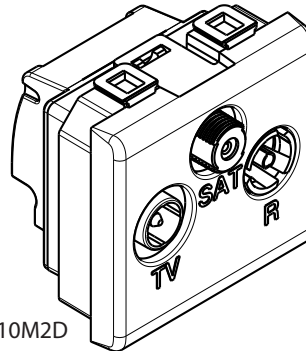
AM5202F - A5202F



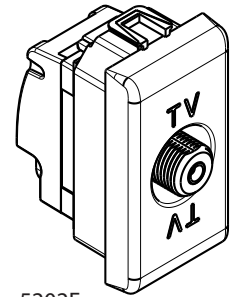
..5202D
..5202P10
..5202P14



..5214D



..5210M2D



..5202F

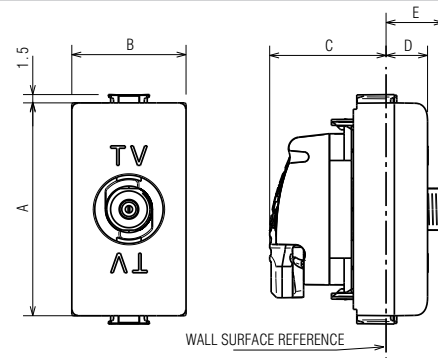
Use

TV and SAT sockets for cabled installation.

Range

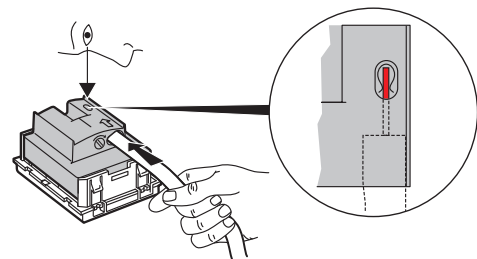
Designation	Item
Star coaxial socket Ø 9.5 mm male connector 1 Module	<input type="checkbox"/> AM5202D <input checked="" type="checkbox"/> A5202D
Terminal coaxial socket -10 dB attenuation Ø 9.5 mm male connector incorporated impedance final adapter 75Ω 1 module	<input type="checkbox"/> AM5202P10 <input checked="" type="checkbox"/> A5202P10
Passthrough coaxial socket -14 dB attenuation Ø 9.5 mm male connector 1 Module	<input type="checkbox"/> AM5202P14 <input checked="" type="checkbox"/> A5202P14
Star demixed coaxial socket TV Ø 9.5 mm male connector SAT Ø 9.5 mm female connector 1 Modules	<input type="checkbox"/> AM5214D <input checked="" type="checkbox"/> A5214D
Star demixed coaxial socket TV Ø 9.5 mm male connector SAT Type F connector R Ø 9.5 mm female connector 2 Modules	<input type="checkbox"/> AM5210M2D <input checked="" type="checkbox"/> A5210M2D
Type F coaxial socket impedance 75 ohm 1 module	<input type="checkbox"/> AM5202F <input checked="" type="checkbox"/> A5202F

Overall dimensions (mm)



	A	B	C	D	E
..5202..	43.6	23.4	23.9	8.5	-----
..5214..	43.6	23.4	28	8.5	11.8
..5210...	43.6	47.1	28.3	8.5	11.3
..5202F	43.6	23.4	21.7	8.5	11.8

Connection



Cabling precautions

Stripping length



Color code:

White colour Ivory colour

Technical characteristics

- Protection index

(considering a complete installation, including cover plate)

Penetration by solid bodies/liquid: IP20D

- Mechanical characteristics

Impact test: IK 04

- Material characteristics

Material:

Mechanism: Zamak

Key cover: ABS

Halogen free.

UV resistant.

Self-extinguishing: 650° C / 30 s

- Electrical characteristics

- Male TV connector Ø 9.52 mm to IEC 61169-2

- Female FM connector Ø 9.52 mm to IEC 61169-2

- SAT FM connector Ø 9.52 mm to IEC 61169-2

- "F" SAT screw-in connector Ø 9.4 mm

- Self-extinguishing: 650° C / 30 s

- Frequency bands: TV: 5 - 68 / 120 - 862 MHz

FM: 87.5 - 108 MHz

SAT: 950 - 2400 MHz

- Typical impedance: 75 Ω

- Feedback channel on TV connector

- Loss through shield: UHF > 65 dB

VHF > 75 dB

SAT > 55 dB


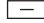

- Max. Ø of incoming cable on input: 7 mm

- Climatic characteristics

Storage temperature: - 10° C to + 70° C

Use temperature: - 5° C to + 35° C

Performance

Cat. No.	Zo				B1	FM	VHF	UHF	SAT IF	
	Ohm			22 / 0.6	40 - 68	87.5 - 108	120 - 470	470 - 862	950 - 2150	
	Ω		V/mA	KHz / V	MHz	MHz	MHz	MHz	MHz	
..5202D ..5202F	75		500 mA	1.5 dB						
..5202P14	75				14 dB					
..5202P10	75				10 dB					
..5214D	75	TV			1.5 dB					
		SAT	500 mA	1.5 dB					1.5 dB	
..5210M2D	75	TV			1.5 dB		1.5 dB			
		RD				1.5 dB				
		SAT	500 mA	1.5 dB					1.5 dB	

Standards and approvals

Compliance with standards CEI/EN 61169-1
CEI/EN 61169-2
CEI/EN 61169-24.

Refer to e.catalogue.

Cleaning

Clean the surface with a cloth.

Do not use acetone, tar-removing cleaning agents or trichloroethylene.

Caution: Always test before using special cleaning products.